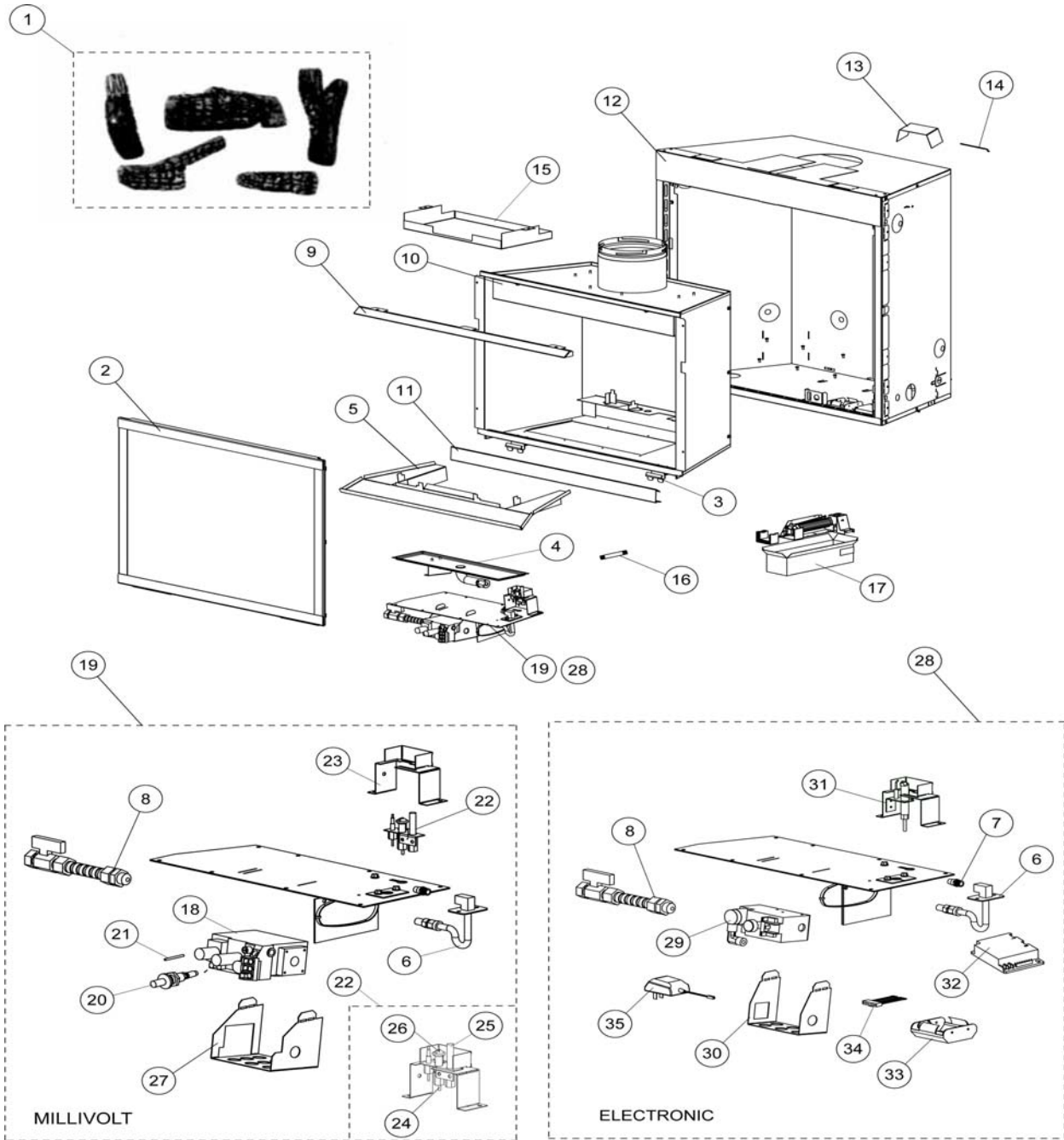


LENNOX HEARTH PRODUCTS
 Service Replacement Parts List
SLDVT-40NM (H7283),SLDVT-40NE(H7287)
SLDVT-40PM (H7285)
Superior
 MODEL YEARS: 2008 - present

Item	Part/Cat.No	Description	Qty.	Where Used
MISC. COMPONENTS				
1	H7245	Log Set	1	SLDVT-40
2	H7265	Glass Enclosure Assembly	1	SLDVT-40
3	H1264	Door Hook Latch	2	SLDVT-40
4	H7259	Gas Burner	1	SLDVT-40
5	H7462	Sub Floor Burner Baffle	1	SLDVT-40
6	H7257	Orifice Holder	1	SLDVT-40
7	60J80	Burner Orifice NG #44	1	SLDVT-40NM, SLDVT-40NE
7	99K78	Burner Orifice LP (.048)	1	SLDVT-40PM, SLDVT-40PE
8	93L32	Flex Gas Line with Shut-off	1	SLDVT-40
9	H7267	Standard Hood (Eyebrow)	1	SLDVT-40
10	H7463	Front Lintel	1	SLDVT-40
11	H7263	Lower Control Compartment Panel	1	SLDVT-40
	H7261	Upper Modesty Panel	1	SLDVT-40
*	See Secure Vent Secure Flex 4.5" /	Vent System	1	SLDVT-40
12	H6216	Vent Restrictor	1	SLDVT-40
13	H7455	Air Shutter Rod	1	SLDVT-40
*	88L53	Embers	1	SLDVT-40
14	H7457	Upper Baffle	1	SLDVT-40
*	90L73	Touch Up Paint	1	SLDVT-40
15	H7458	3" Pipe Nipple	1	SLDVT-40
*	80L42	Volcanic Stone	1	SLDVT-40
16	80L84	Fan Kit	1	SLDVT-40
Item	Part/Cat.No	Description	Qty.	Where Used
GAS CONTROLS - SIT MILLIVOLT				
17	H6209	Gas Valve NG SIT	1	SLDVT-40NM
17	88J53	Gas Valve LP SIT	1	SLDVT-40PM
18	H7464	Gas Train Assembly NG	1	SLDVT-40NM
18	H7465	Gas Train Assembly LP	1	SLDVT-40PM
19	10K86	Piezo Igniter SIT	1	SLDVT-40NM
20	56L21	Piezo Igniter Wire	1	SLDVT-40NM
21	69L17	Pilot Assembly SIT	1	SLDVT-40NM
22	H7454	Pilot Bracket	1	SLDVT-40NM
23	74L56	Pilot Tube - SIT	1	SLDVT-40NM





Item	Part/Cat.No	Description	Qty.	Where Used
GAS CONTROLS - SIT MILLIVOLT				
24	60J79	Thermopile	1	SLDVT-40NM
25	74L57	Thermocouple SIT	1	SLDVT-40NM
*	H7549	Thermostat Wire Assembly MV	1	SLDVT-40NM, SLDVT-40PM
*	H6975	Gas Conversion NG to LP SIT	1	SLDVT-40NM
*	H7294	Gas Conversion LP to NG SIT	1	SLDVT-40PM
26	H7460	Valve Support Bracket	1	SLDVT-40NM, SLDVT-40PM
*	H6212	Igniter Electrode & Cable SIT	1	SLDVT-40NM, SLDVT-40PM
*	See Orifice Holder	Gas Line Valve to Burner	1	SLDVT-40
Item	Part/Cat.No	Description	Qty.	Where Used
GAS CONTROLS - Dexen ELECTRONIC				
27	H7466	Gas Train Assembly	1	SLDVT-40NE
28	H4681	Gas Valve NG Electronic	1	SLDVT-40NE
29	H7461	Valve Support Bracket	1	SLDVT-40NE
30	H4673	Pilot Assembly	1	SLDVT-40NE
*	See Pilot Assembly	Pilot Tube	1	SLDVT-40NE
*	H6973	Gas Conversion NG to LP	1	SLDVT-40NE
*	H7297	Gas Conversion LP To NG	1	SLDVT-40PE
*	H7549	Thermostat Wire Assembly Electronic		SLDVT-40NE
31	H4674	Igniter Module	1	SLDVT-40NE
32	H4675	Battery Holder	1	SLDVT-40NE
33	H4676	Wire Harness	1	SLDVT-40NE
34	H4677	Adapter	1	SLDVT-40NE



ACCESSORY COMPONENTS

Thermostatic Controls

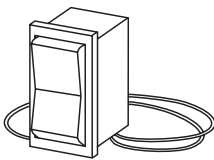
Feature a thermostatic ON/OFF mode as well as manual ON/OFF operation.

	<p>RC-S-MODMV Flame and heat modulation</p> <ul style="list-style-type: none"> • Thermostatic, manual, or up to 9-hour timer ON/OFF operation • Wall clip included • Solenoid for SIT millivolt valves • Three fan speed settings • Child lock • Low battery indicator • Batteries included
	<p>RC-S-STAT Thermostatic or manual operation</p> <ul style="list-style-type: none"> • LCD display • Receiver wall-mounted or placed in the valve compartment • Up to 9-hour countdown timer • Child lock • Low battery indicator • Batteries included
	<p>RC-S-Touch State-of-the-art control with touch screen operation</p> <ul style="list-style-type: none"> • Backlit LCD display • Transmitter wall-mounted docking station • Receiver wall-mounted or placed in the control compartment • Thermostatic or manual ON/OFF operation • Programmable weekday/weekend modes • Flame icon • Low battery indicator • Batteries included
	<p>WS-S-STAT Wall Control</p> <ul style="list-style-type: none"> • Large LCD display • Shows room and set temperatures in °F and °C • Wall-mounted • Thermostatic or manual ON/OFF operation • Connects to wall switch wire

ON/OFF and Timer Controls

Feature a timed ON/OFF mode as well as manual ON/OFF operation.

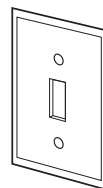
	<p>G-Fire Cost Effective Solution</p> <ul style="list-style-type: none"> • Manual ON/OFF operation • Works with millivolt and low voltage electronic ignition controls • Kit includes remote and receiver
	<p>RC-S-1 Manual or up to 3-hour timer modes</p> <ul style="list-style-type: none"> • LCD display • Shows room temperature in °F and °C • Wall clip included • Receiver wall-mounted or placed in the control compartment • White face plate included • Flame icon • Low battery indicator • Batteries included
	<p>WS-S-TMR Wall Control</p> <ul style="list-style-type: none"> • 4-button timer with 30/60/120/OFF minutes • Wall-mounted • Perfect for rental and resort applications • Connects to wall switch wire



Unit-Mountable Rocker Switch

This rocker switch kit can be installed directly in the gas valve mounting bracket (millivolt gas valve equipped fireplaces) to provide On/Off operation in lieu of a wall switch.

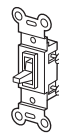
Rocker Switch Kit		
Cat. No.	Model No.	Description
80L41	FRS	Rocker Switch Kit



OFF/ON Wall Switch Kit

The OFF/ON wall switch kit may be used to control the operation of the fireplace burner or blower. Install the OFF/ON wall switch in a convenient location near the fireplace.

White Wall Switch Kit		
Cat. No.	Model No.	Description
85L87	FWSK	OFF/ON Wall Switch Kit



Variable Speed Wall Switch

Provides variable speed control if optional blower kit is purchased.

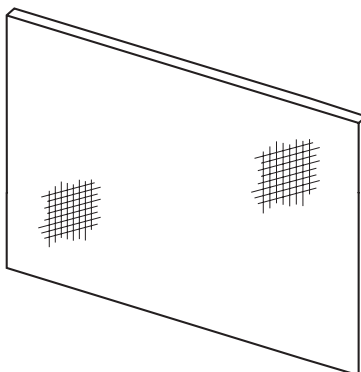
Variable Speed Wall Switch		
Cat. No.	Model No.	Description
045571H	VSWS	Variable Speed Switch

NOTE: DIAGRAMS & ILLUSTRATIONS ARE NOT TO SCALE.

ACCESSORY COMPONENTS (continued)

Barrier Screen Panel Kit

This easy to install optional screen panel installs over the standard glass enclosure panel and provides a barrier to prevent direct contact with the hot glass surface. These screen panels cannot be used in conjunction with the arch door kits or door frame kits.

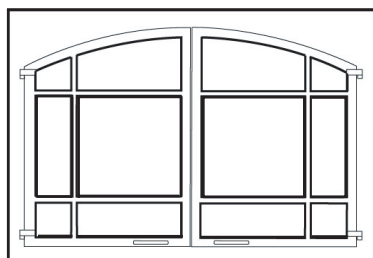


Barrier Screen Panel Kits		
Cat. No.	Model No.	Models Where Used
H6094	30MSKP	SLDVT-30
H6095	35MSPK	SLDVT-35
H3989	40LSPK	SLDVT-40
H3990	45LSPK	SLDVT-45

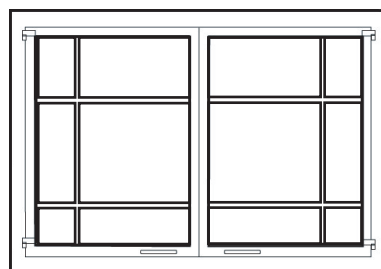
(ref. Instruction P/N 750042M)

Style View Screen Doors

Style View doors are easy to install, and do not require additional hardware. They install over the standard fireplace glass door and provide a barrier to prevent direct contact with the hot glass surface. They include heavy-duty, magnetic door latches and functional twin-pane screen doors.



Arch Pane



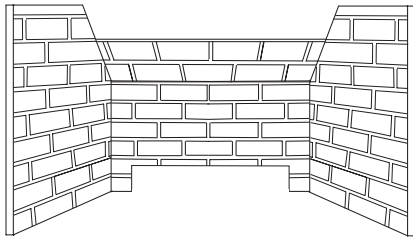
Square Pane

Arch Pane Style View Doors			
Cat. No.	Model No.	Description	For Models
H8529	APDML30C	30 in. Arch Pane Doors, Painted	SLDVT-30
H8530	APDML30SP	30 in. Arch Pane Doors, Satin Pewter	
H8515	APDML35C	35 in. Arch Pane Doors, Painted	SLDVT-35
H8514	APDML35SP	35 in. Arch Pane Doors, Satin Pewter	
H8512	APDML40C	40 in. Arch Pane Doors, Painted	SLDVT-40
H8513	APDML40SP	40 in. Arch Pane Doors, Satin Pewter	
H8535	APDML45C	45 in. Arch Pane Doors, Painted	SLDVT-45
H8536	APDML45SP	45 in. Arch Pane Doors, Satin Pewter	

Square Pane Style View Doors			
Cat. No.	Model No.	Description	For Models
H8531	SPDML30C	30 in. Square Pane Doors, Painted	SLDVT-30
H8532	SPDML30SP	30 in. Square Pane Doors, Satin Pewter	
H8510	SPDML35C	35 in. Square Pane Doors, Painted	SLDVT-35
H8511	SPDML35SP	35 in. Square Pane Doors, Satin Pewter	
H8516	SPDML40C	40 in. Square Pane Doors, Painted	SLDVT-40
H8517	SPDML40SP	40 in. Square Pane Doors, Satin Pewter	
H8534	SPDML45C	45 in. Square Pane Doors, Painted	SLDVT-45
H8533	SPDML45SP	45 in. Square Pane Doors, Satin Pewter	

NOTE: DIAGRAMS & ILLUSTRATIONS ARE NOT TO SCALE.

ACCESSORY COMPONENTS (continued)

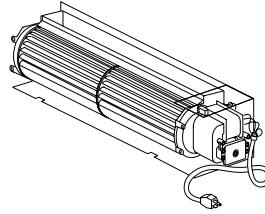


Brickaded Firebox Liner Kit

The brickaded liner kits include ceramic panels as shown here. The panels have brick-like features in relief.

Brickaded Wall Liner Kits		
Cat. No.	Model No.	Description
H7502	BLPK-30TB	Brick Liner Kit, Buff SLDVT-30
H7288	BLPK-35TB	Brick Liner Kit, Buff SLDVT-35
H7289	BLPK-40TB	Brick Liner Kit, Buff SLDVT-40
H7503	BLPK-45TB	Brick Liner Kit, Buff SLDVT-45
H7505	BLPK-30TR	Brick Liner Kit, Red SLDVT-30
H7290	BLPK-35TR	Brick Liner Kit, Red SLDVT-35
H7291	BLPK-40TR	Brick Liner Kit, Red SLDVT-40
H7505	BLPK-45TR	Brick Liner Kit, Red SLDVT-45

(ref. Instruction P/N 750248M)

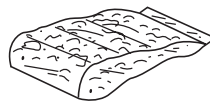


Forced Air Kit

The FBK-100 blower provides constant velocity forced air circulation. The FBK-200 assembly with variable speed, wall-mountable switch provides variable speed forced air circulation. The FBK-300 offers variable speed control and a heat-activated switch; perfect for fireplaces controlled thermostatically.

Forced Air Blower Kits		
Cat. No.	Model No.	Description
80L84	FBK-100	Blower, Standard (single speed)
80L85	FBK-200	Blower, Variable Speed (w/wall-mounted switch)
H7841	FBK-300	Blower, Variable Speed (w/thermal snap switch)

(ref. Instruction P/Ns 750028M and 506019-51)



**Bag of Glowing Embers
Bag of Volcanic Stone**

Replacement ember materials or volcanic stone are available for use with these appliances. Order kits as part of the periodic maintenance of the appliance.

Decorative Firebox Accessories (all models)		
Cat. No.	Model No.	Description
88L53	FGE	Bag of Glowing Embers
80L42	FDVS	Bag of Decorative Volcanic Stone

(ref. FDVS Instruction P/N 750010M)

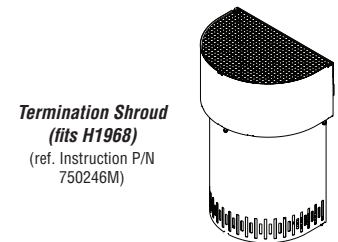


Touch-Up Paint Kit

Repair of minor scratches and discoloration of the appliance black painted surfaces may be accomplished with the touch-up paint kit.

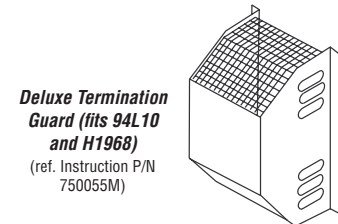
Touch-Up Paint Kits (all models)		
Cat. No.	Model No.	Description
90L73	FTPK-B	Touch-Up Paint (Black)

(ref. Instruction P/N 750050M)



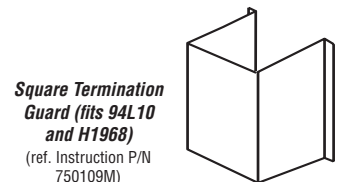
Termination Shroud (fits H1968)

(ref. Instruction P/N 750246M)



Deluxe Termination Guard (fits 94L10 and H1968)

(ref. Instruction P/N 750055M)



Square Termination Guard (fits 94L10 and H1968)

(ref. Instruction P/N 750109M)

Termination Guard Kits

The vent termination guards may be used to cover the vent termination on the exterior of the home to minimize exposure to the hot surface of the termination.

Termination Guard Kits (all models)		
Cat. No.	Model No.	Description
H5820	4.5HTSK	Termination Shroud
87L02	SV4.5HGS	Termination Guard, Deluxe
17M52	SV4.5HGS-1	Termination Guard, Square

REPLACEMENT PARTS LIST

Item No.	Description	SLDVT-30		SLDVT-35		SLDVT-40		SLDVT-45	
		Part No.	Qty.	Part No.	Qty.	Part No.	Qty.	Part No.	Qty.
1	Hood	H7568	1	H7266	1	H7267	1	H7569	1
2	Lower Control Compartment Panel	H8936	1	H8937	1	H8938	1	H8939	1
3	Enclosure, Glass Front (Complete)	H7560	1	H7264	1	H7265	1	H7561	1
4	Door Latch Spring	H1264	2	H1264	2	H1264	2	H1264	2
5	Log Set (Complete)	H7244	1	H7244	1	H7245	1	H7547	1
6	Burner Assembly	H7717	1	H7717	1	H7718	1	H7718	1
7	Orifice, Main Burner - Natural Gas	H4873	1	H1355	1	60J80	1	37L70	1
7	Orifice, Main Burner - Propane Gas	H7838	1	75L10	1	19L52	1	99K79	1
8	Bag of Glowing Embers (Rockwool)	88L53	1	88L53	1	88L53	1	88L53	1
8	Bag of Decorative Volcanic Stone	80L42	1	80L42	1	80L42	1	80L42	1
9	Orifice Holder	H7257	1	H7257	1	H7257	1	H7257	1
10	Gas Line Flexible Connector	93L32	1	93L32	1	93L32	1	93L32	1
11	Sub-Floor	H7558	1	H7450	1	H7462	1	H7741	1
12	Flex Orifice/Manifold Connector Tube, 9 in.	H7257	1	H7257	1	H7257	1	H7257	1

Gas Controls - SIT Millivolt

Item No.	Description	Natural Gas		Propane Gas	
		Part No.	Qty.	Part No.	Qty.
13	Gas Valve, SIT	H6209	1	88J53	1
14	Piezo Igniter	10K86	1	10K86	1
15	Piezo Igniter Wire	56L21	1	56L21	1
16	Pilot Assembly	69L17	1	69L18	1
17	Pilot Generator	60J79	1	60J79	1
18	Thermocouple	74L57	1	74L57	1
19	Pilot Tube	74L56	1	74L56	1
20	Electrode and Cable	74L58	1	74L58	1

Contact an Authorized Lennox Hearth Products dealer to obtain any of these parts. Never use substitute materials. Use of non-approved parts can result in poor performance and safety hazards.

WARNING

Failure to position the parts in accordance with these diagrams or failure to use only parts specifically approved with this appliance may result in property damage or personal injury.

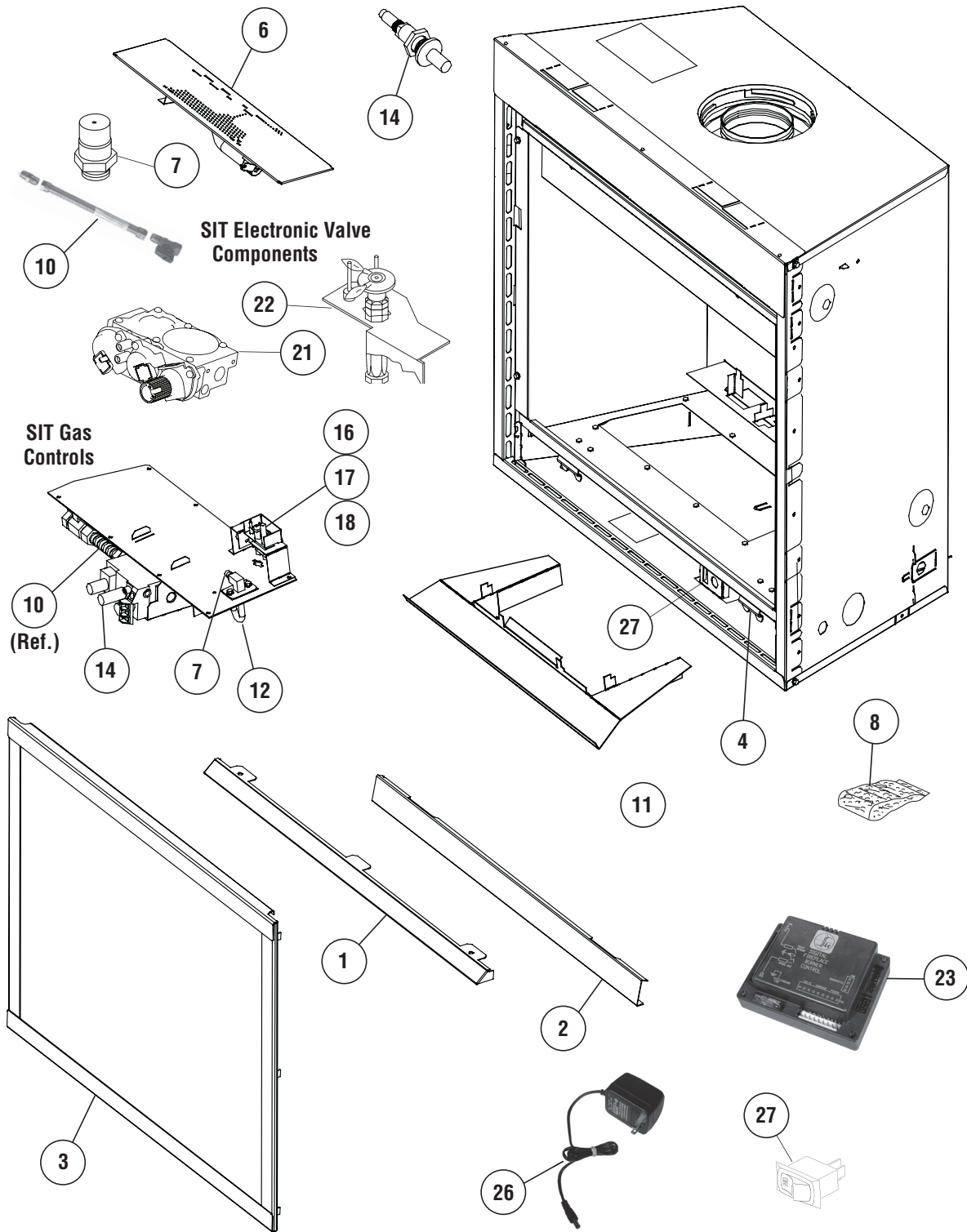
AVERTISSEMENT

Risque de dommages ou de blessures si les pièces ne sont pas installées conformément à ces schémas et ou si des pièces autres que celles spécifiquement approuvées avec cet appareil sont utilisées.

Gas Controls - SIT Electronic

Item No.	Description	Part No.	Qty.
21	Gas Valve, Natural Gas, SIT	H8844	1
21	Gas Valve, Propane, SIT	H8594	1
22	Pilot Assembly, Natural Gas	H7268	1
22	Pilot Assembly, Propane	H7269	1
23	Digital Flame Control Module	H7272	1
24	Battery Holder	H8803	1
25	Wiring Harness, Digital Flame Control	H8601	1
26	Transformer	H8006	1
27	CPI ON/OFF Switch	27K30	1

REPLACEMENT PARTS



Lennox Hearth Products reserves the right to make changes at any time, without notice, in design, materials, specifications, prices and also to discontinue colors, styles and products. Consult your local distributor for fireplace code information.

LENNOX®, the LENNOX design, DAVE LENNOX, the image of DAVE LENNOX and other related LENNOX marks are registered or common law trademarks of Lennox Industries Inc. and are used with permission.

Printed in U.S.A. © 2012–2013 Lennox Hearth Products LLC

P/N 506010-04 Rev. A 04/2013



1508 Elm Hill Pike, Suite 108 • Nashville, TN 37210



CARE AND OPERATION INSTRUCTIONS

**SLDVT Direct-Vent
Gas Fireplaces**

MERIT™ SERIES

P/N 506010-04 Rev. A 04/2013

This manual is part of a set of two supporting this product. Refer to P/N 506009-04 for Installation Instructions.
Ce manuel est disponible en français, simplement en faire la demande. Numéro de la pièce 506223-59.

WHAT'S INSIDE	
Table of Contents	2
Safety and Your Fireplace	2
FREE Safety Guard Offer (Protects Against Burns)	2
Important Safety Information	4
Attaching the Safety-in-Operation Warnings	5
[EN FRANÇAIS] L'information de sûreté importante	3-4
Apposition des mises en garde relatives à la sécurité d'utilisation	5
[EN ESPAÑOL] Información importante de seguridad	3-4
Colocación de advertencias de seguridad en operación	5

MODELS	MILLIVOLT:	ELECTRONIC:
SLDVT-30NM	SLDVT-40NM	SLDVT30NE-2
SLDVT-30PM	SLDVT-40PM	SLDVT35NE-2
SLDVT-35NM	SLDVT-45NM	SLDVT40NE-2
SLDVT-35PM	SLDVT-45PM	SLDVT45NE-2



Intertek

Report No. 100353019PRT-001



INSTALLER: Leave this manual with the appliance.
CONSUMER: Retain this manual for future reference.
INSTALLATEUR : Laissez cette notice avec l'appareil.
CONSOMMATEUR : Conservez cette notice pour consultation ultérieure.

! WARNING / AVERTISSEMENT / AVISO

<ul style="list-style-type: none"> • HOT GLASS WILL CAUSE BURNS. • DO NOT TOUCH GLASS UNTIL COOLED. • NEVER ALLOW CHILDREN TO TOUCH GLASS. 		<ul style="list-style-type: none"> • UNE SURFACE VITRÉE CHAUDE PEUT CAUSER DES BRÛLURES. • LAISSER REFROIDIR LA SURFACE VITRÉE AVANT D'Y TOUCHER. • NE PERMETTEZ JAMAIS À UN ENFANT DE TOUCHER LA SURFACE VITRÉE. 	<ul style="list-style-type: none"> • EL VIDRIO CALIENTE CAUSARÁ QUEMADURAS. • USTED DEBE NUNCA TOCAR EL VIDRIO CALIENTE. • LOS NIÑOS DEBEN NUNCA TOCAR EL VIDRIO.
---	--	--	--

WARNING: If the information in these instructions is not followed exactly, a fire or explosion may result, causing property damage, personal injury, or death.

- Do not store or use gasoline or other flammable vapors and liquids in the vicinity of this or any other appliance.
- **WHAT TO DO IF YOU SMELL GAS:**
 - Do not try to light any appliance.
 - Do not touch any electrical switch; do not use any phone in your building.
 - Immediately call your gas supplier from a neighbor's phone. Follow the gas supplier's instructions.
 - If you cannot reach your gas supplier, call the fire department.
- Installation and service must be performed by a qualified installer, service agency or the gas supplier.

AVERTISSEMENT : Assurez-vous de bien suivre les instructions données dans cette notice pour réduire au minimum le risque d'incendie ou d'explosion ou pour éviter tout dommage matériel, toute blessure ou la mort.

- Ne pas entreposer ni utiliser d'essence ni d'autres vapeurs ou liquides inflammables dans le voisinage de cet appareil ou de tout autre appareil.
- **QUE FAIRE SI VOUS SENTEZ UNE ODEUR DE GAZ :**
 - Ne pas tenter d'allumer d'appareil.
 - Ne touchez à aucun interrupteur. Ne pas vous servir des téléphones se trouvant dans le bâtiment où vous trouvez.
 - Appelez immédiatement votre fournisseur de gaz depuis un voisin. Suivez les instructions du fournisseur.
 - Si vous ne pouvez rejoindre le fournisseur de gaz, appelez le service des incendies.
- L'installation et l'entretien doivent être assurés par un installateur ou un service d'entretien qualifié ou par le fournisseur de gaz.