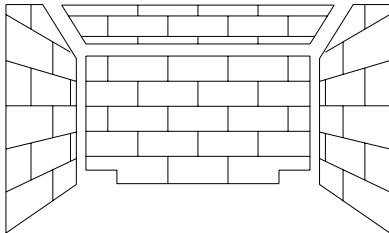


| Product Reference Information |               |           |              |
|-------------------------------|---------------|-----------|--------------|
| Cat. No.                      | Model         | Ship. Wt. | Ship. Volume |
| H8568                         | MPDP35IN (NG) | 113 lb.   | 15.8 cu. ft. |
| H8569                         | MPDP35IP (LP) |           |              |
| H8570                         | MPDP40IN (NG) | 147 lb.   | 20.2 cu. ft. |
| H8571                         | MPDP40IP (LP) |           |              |

**REQUIRED ACCESSORIES**

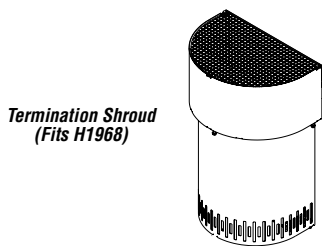


The brickaded panel liner kits include ceramic panels of the side walls, the rear and the baffle of the firebox. The panels have brick-like features in relief.

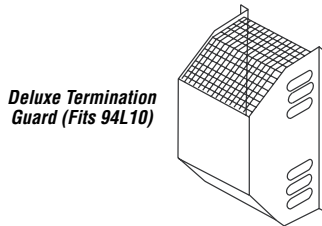
*One of the following kits must be installed for safe operation of this appliance.*

| Firebox Liner Kits |              |                         |
|--------------------|--------------|-------------------------|
| Cat. No.           | Model        | Description             |
| H8572              | BLKBP-MPDP35 | Black Porcelain, MPDP35 |
| H8573              | BLKBP-MPDP40 | Black Porcelain, MPDP40 |
| H0913              | MBLK-35      | Brickaded, MPDP35       |
| H0914              | MBLK-40      | Brickaded, MPDP40       |

**OPTIONAL ACCESSORIES**



Termination Shroud (Fits H1968)



Deluxe Termination Guard (Fits 94L10)

**Termination Guard Kits**

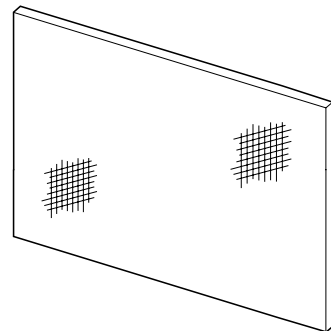
The vent termination guards may be used to cover the vent termination on the exterior of the home to minimize exposure to the hot surface of the termination.

| Termination Guard Kits (all models) |           |                           |
|-------------------------------------|-----------|---------------------------|
| Cat. No.                            | Model No. | Description               |
| H5820                               | 4.5HTSK   | Termination Shroud        |
| 87L02                               | SV4.5HGS  | Termination Guard, Deluxe |



Repair of minor scratches and discoloration of the appliance painted surfaces may be accomplished with the touch-up paint kit.

| Touch-Up Paint (Black) Kit |       |                       |
|----------------------------|-------|-----------------------|
| Cat. No.                   | Model | Description           |
| 90L73                      | TPK-B | Touch-Up Paint, Black |



These barrier screen kits create a barrier to prevent direct contact with the hot glass. The screen panel affixes directly to the front glass enclosure panel.

| Barrier Screen Kits |       |                        |
|---------------------|-------|------------------------|
| Cat. No.            | Model | Description            |
| H7975               | HG35M | Barrier Screen, MPDP35 |
| H7976               | HG40M | Barrier Screen, MPDP40 |



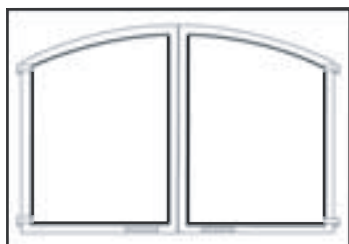
**Bag of Glowing Embers  
Bag of Volcanic Stone**

Replacement ember materials or volcanic stone are available for use with these appliances. Order kits as part of the periodic maintenance of the appliance.

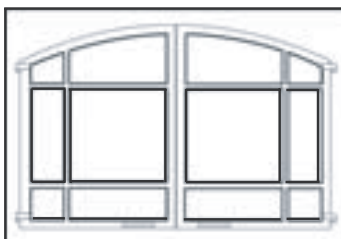
| Decorative Firebox Accessories |           |  |
|--------------------------------|-----------|--|
| Cat. No.                       | Model No. | Description                            |
| 88L53                          | FGE       | Bag of Glowing Embers (1 oz. rockwool) |
| 80L42                          | FDVS      | Bag of Decorative Volcanic Stone       |

NOTE: DIAGRAMS & ILLUSTRATIONS ARE NOT TO SCALE.

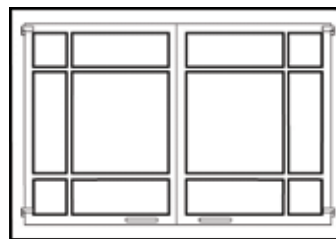
**ACCESSORY COMPONENTS (continued)**



**Arch Design**



**Arch Pane Design**



**Square Pane Design**

**Style View Doors -**

Style View Doors come in three beautiful styles. They are easy to install and will not require hardware to attach them to the standard glass door frame. The door includes heavy duty magnet door latches and functional twin-pane doors.

| ARCH DESIGN KITS      |           |                                   |              |
|-----------------------|-----------|-----------------------------------|--------------|
| Cat. No.              | Model     | Description                       | Model Series |
| H8769                 | AD35B-2   | 35" Arch Doors, Black             | MPDP35       |
| H8770                 | AD35SP-2  | 35" Arch Doors, Satin Pewter      |              |
| H8771                 | AD40B-2   | 40" Arch Doors, Black             | MPDP40       |
| H8772                 | AD40SP-2  | 40" Arch Doors, Satin Pewter      |              |
| ARCH PANE DESIGN KITS |           |                                   |              |
| H8775                 | APD35B-2  | 35" Arch Pane Doors, Black        | MPDP35       |
| H8776                 | APD35SP-2 | 35" Arch Pane Doors, Satin Pewter |              |
| H8777                 | APD40B-2  | 40" Arch Pane Doors, Black        | MPDP40       |
| H8778                 | APD40SP-2 | 40" Arch Pane Doors, Satin Pewter |              |

| SQUARE PANE DESIGN KITS |           |                                  |              |
|-------------------------|-----------|----------------------------------|--------------|
| Cat. No.                | Model     | Description                      | Model Series |
| H8781                   | SPB35B-2  | 35" Sq. Pane Doors, Black        | MPDP35       |
| H8782                   | SPB35SP-2 | 35" Sq. Pane Doors, Satin Pewter |              |
| H8783                   | SPB40B-2  | 40" Sq. Pane Doors, Black        | MPDP40       |
| H8784                   | SPB40SP-2 | 40" Sq. Pane Doors, Satin Pewter |              |

**REPLACEMENT PARTS LIST**

| Item No. | Description                       | MPDP35   |      | MPDP40   |      |
|----------|-----------------------------------|----------|------|----------|------|
|          |                                   | Part No. | Qty. | Part No. | Qty. |
| 1        | Hood                              | 97K51    | 1    | 97K52    | 1    |
| 2        | Radiant Panel Assembly, Upper     | H8661    | 1    | H8662    | 1    |
| 3        | Radiant Panel Assembly, Lower     | H8665    | 1    | H8666    | 1    |
| 4        | Enclosure, Glass Front (Complete) | H8584    | 1    | H8586    | 1    |
| 5        | Nameplate (Brand)                 | 12L15    | 1    | 12L15    | 1    |
| 6        | Door Latch Spring                 | H1264    | 2    | H1264    | 2    |
| 7        | Catch, Door, Magnetic             | 69L31    | 2    | 69L31    | 2    |
| 8        | Log Set (Complete)                | 24M22    | 1    | 24M25    | 1    |
| 9        | Burner Assembly                   | H8585    | 1    | H8587    | 1    |
| 10       | Grate Assembly                    | H6526    | 1    | H6314    | 1    |
| 11       | Orifice, Main Burner - Nat. Gas   | H3721    | 1    | 18L40    | 1    |
| 11       | Orifice, Main Burner - LP Gas     | 99K79    | 1    | 21L01    | 1    |
| 12       | Bag Of Embers (Rockwool)          | 88L53    | 1    | 88L53    | 1    |
| 13       | Bag Of Decorative Volcanic Stone  | 80L42    | 1    | 80L42    | 1    |
| 14       | Gas Line Flexible Connector       | 93L32    | 1    | 93L32    | 1    |
| 15       | CPI Switch (pilot mode)           | 27K30    | 1    | 27K30    | 1    |
| 16       | Forced Air Blower, FBK-100        | 80L84    | 1    | 80L84    | 1    |

**GAS CONTROLS — SIT ELECTRONIC**

| Item No. | Description            | Natural Gas |     | Propane Gas |     |
|----------|------------------------|-------------|-----|-------------|-----|
|          |                        | Part No     | Qty | Part No     | Qty |
| 17       | Gas Valve              | H7270       | 1   | H7271       | 1   |
| 18       | Pilot Assembly         | H7268       | 1   | H7269       | 1   |
| 19       | DFC Ignition Board     | H7272       | 1   | H7272       | 1   |
| 20       | DFC Wire Harness       | H7273       | 1   | H7273       | 1   |
| 21       | Receiver Kit           | H7277       | 1   | H7277       | 1   |
| 22       | Receiver Cable Harness | H7276       | 1   | H7276       | 1   |
| 23       | Fan Control Module     | H7274       | 1   | H7274       | 1   |
| 24       | Transmitter Kit        | H7275       | 1   | H7275       | 1   |
| 25       | Ground Wire            | H7278       | 1   | H7278       | 1   |

Contact an Lennox Hearth Products dealer to obtain any of these parts. Never use substitute materials. Use of non-approved parts can result in poor performance and safety hazards.

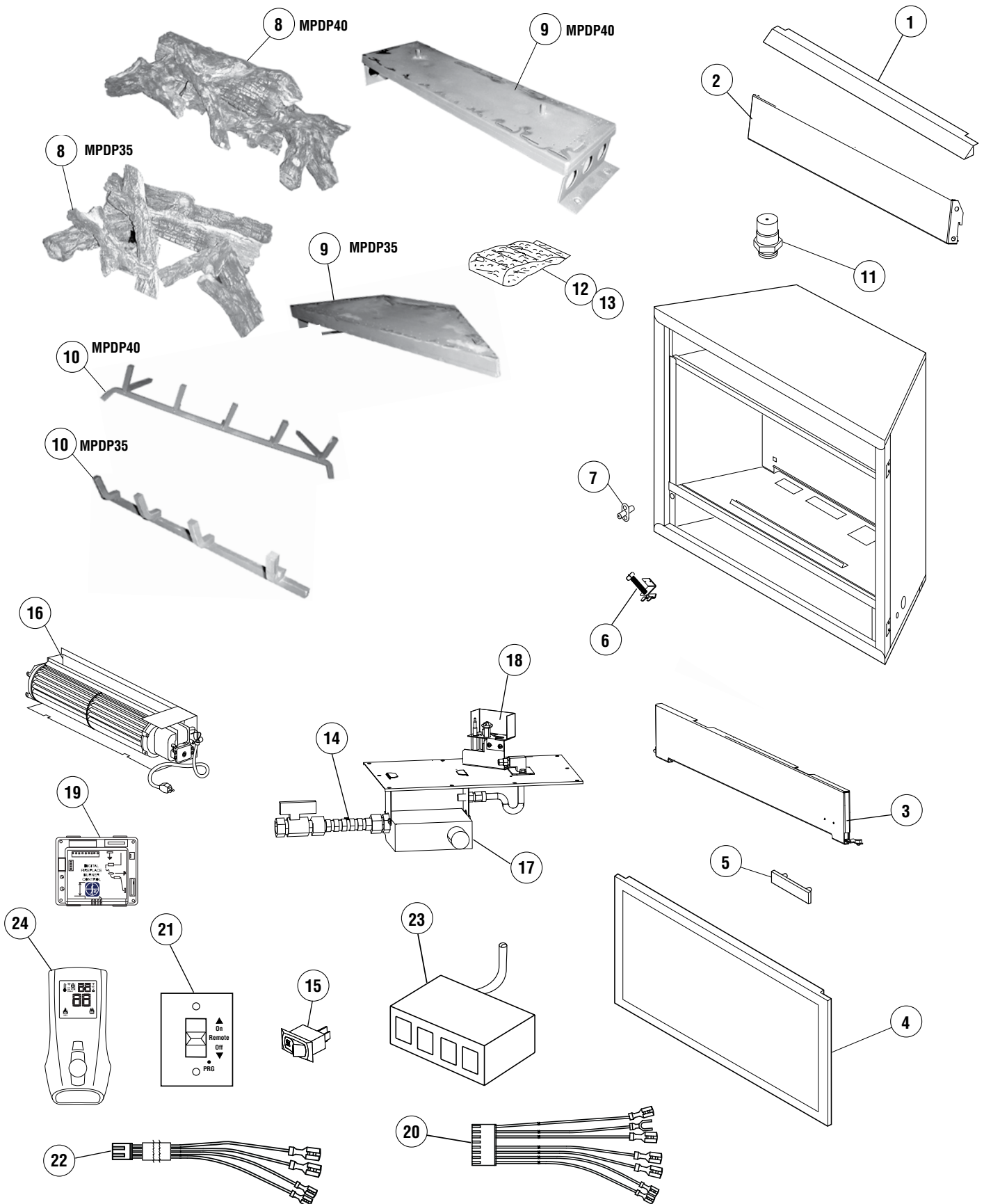
**! WARNING**

Failure to position the parts in accordance with these diagrams or failure to use only parts specifically approved with this appliance may result in property damage or personal injury.

**! AVERTISSEMENT**

Risque de dommages ou de blessures si les pièces ne sont pas installées conformément à ces schémas et ou si des pièces autres que celles spécifiquement approuvées avec cet appareil sont utilisées.

REPLACEMENT PARTS



NOTE: DIAGRAMS & ILLUSTRATIONS ARE NOT TO SCALE.