

LENNOX HEARTH PRODUCTS

Service Replacement Parts List

**EDV4540CNE (H0740), EDV4540CNM (H0739)
EDV4540CNM-B (H2004), EDV4540CPM (H0741)**

EDV OPEN VENT

MODEL YEARS: 2003 - present

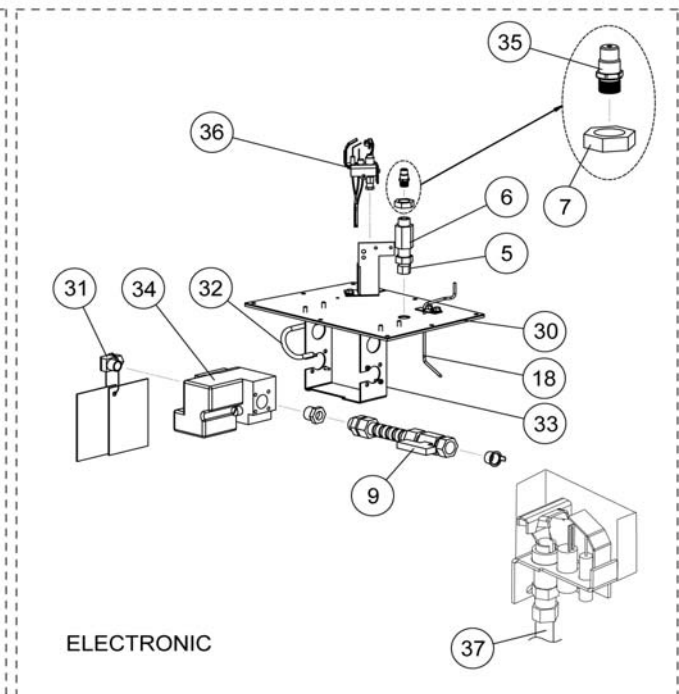
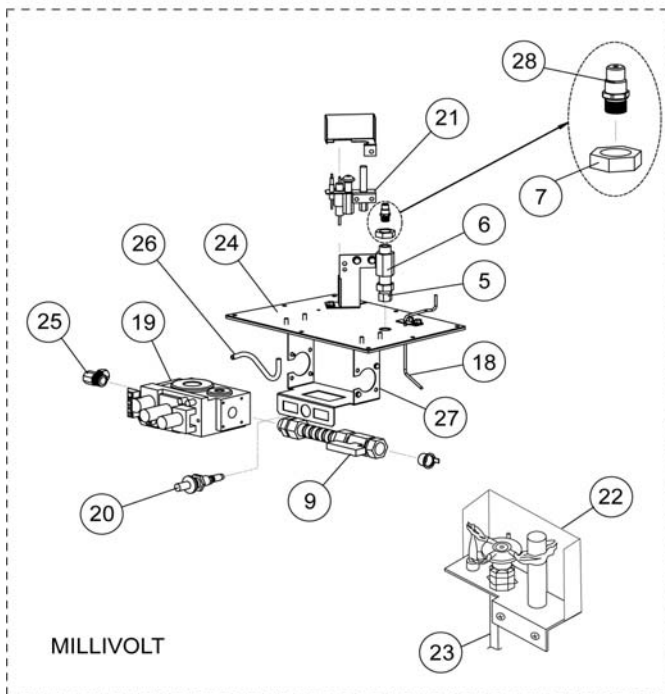
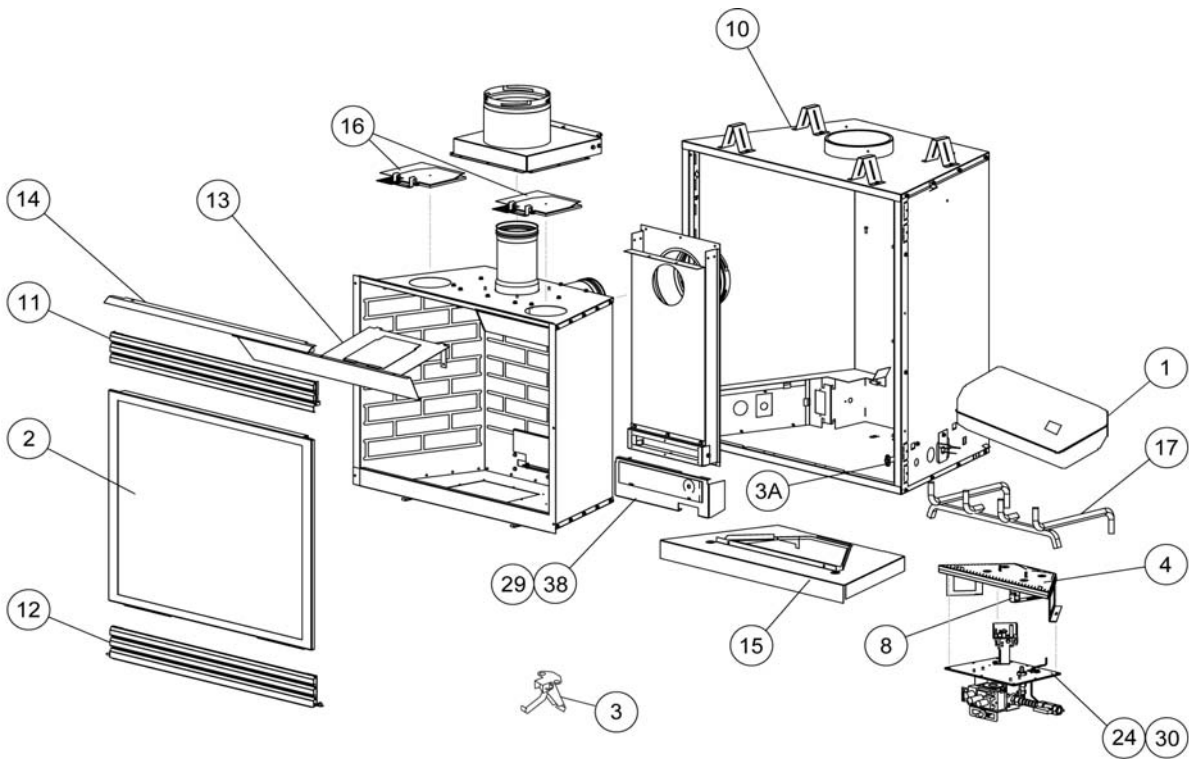
Items in italics are not available 6 months after end of model production.

Item	Part/Cat.No	Description	Qty.	Where Used
MISC. COMPONENTS				
**	55M48	Ceramic Fiber Hearth	1	All Models
1	55M03	Log Set	1	All Models
2	91L16	Glass Enclosure Assembly Front	1	All Models
3	69L21	Door Hook Latch	2	All Models
3A	69L31	Cabinet Magnet Kit	1	All Models
4	55M30	Gas Burner	1	All Models
5	21L62	Burner Brass Fitting	1	All Models
6	60J60	Burner Brass Fitting Bulk Head	1	All Models
7	60J65	Brass Hex Nut	1	All Models
8	43K85	Venturi Tube Mounting Gasket	1	All Models
9	93L32	Flex Gas Line with Shut-off	1	All Models
10	H4611	Cabinet Top	1	All Models
11	H3728	Top Louver Assembly W/Bracket	1	All Models
12	H3736	Bottom Louver Assembly W/Bracket	1	All Models
13	H5000	Front Lintel	1	All Models
14	H3897	Standard Hood	1	All Models
**	H3742	Bustle Top	1	All Models
**	H3730	Bustle Bottom	1	All Models
15	H2036	Sub Base Firebox	1	All Models
16	28L10	Relief Plates W/Gasket	2	All Models
**	80L84	Fan Kit (Single Speed)	1	All Models
**	74L61	Vent Adapter	1	All Models
**	81L32	Vent Restrictor	1	All Models
17	H4991	Grate	1	All Models
18	H3707	Air Shutter Rod	1	All Models
**	90L74	Touch Up Paint Charcoal	1	All Models
**	98K67	Touch Up Paint Tan	1	All Models
**	88L53	Embers	1	All Models
**	80L41	On/Off Rocker Switch	1	All Models
**	12L15	Name Plate	1	All Models

** Not Pictured

Item	Part/Cat.No	Description	Qty.	Where Used
GAS CONTROLS - SIT MILLIVOLT				
19	43K07	Gas Valve NG	1	EDV4540CNM, EDV4540CNM-B
19	88J53	Gas Valve LP	1	EDV4540CPM
20	91K94	Piezo Igniter	1	EDV4540CNM, EDV4540CNM-B, EDV4540CPM
21	69L17	Pilot Assembly	1	EDV4540CNM, EDV4540CNM-B
21	69L18	Pilot Assembly	1	EDV4540CPM
22	H3737	Pilot Shield	1	EDV4540CNM, EDV4540CNM-B, EDV4540CPM
23	74L56	Pilot Tube with fitting	1	EDV4540CNM, EDV4540CNM-B, EDV4540CPM
**	85L64	Gas Conversion Kits (NG to LP)	1	EDV4540CNM, EDV4540CNM-B
**	85L71	Gas Conversion Kits (LP to NG)	1	EDV4540CPM
24	H4985	Gas Train Assembly NG	1	EDV4540CNM, EDV4540CNM-B
24	H4988	Gas Train Assembly LP	1	EDV4540CPM
25	21L63	Gas Valve Brass Fitting	1	EDV4540CNM, EDV4540CNM-B, EDV4540CPM
26	H3710	Gas Valve Tube Valve To Burner	1	EDV4540CNM, EDV4540CNM-B, EDV4540CPM
27	H4886	Valve Support Bracket	1	EDV4540CNM, EDV4540CNM-B, EDV4540CPM
28	99K77	Burner Orifice #33	1	EDV4540CNM, EDV4540CNM-B
28	H0922	Burner Orifice #51	1	EDV4540CPM
29	H3384	Gas Control Inside Access Panel	1	EDV4540CNM, EDV4540CNM-B, EDV4540CPM
**	74L58	Igniter Electrode & Cable	1	EDV4540CNM, EDV4540CNM-B, EDV4540CPM
**	60J79	Thermopile	1	EDV4540CNM, EDV4540CNM-B, EDV4540CPM
**	74L57	Thermocouple	1	EDV4540CNM, EDV4540CNM-B, EDV4540CPM
GAS CONTROLS - HONEYWELL ELECTRONIC				
30	H4913	Gas Train Assembly NG	1	EDV4540CNE
31	62L07	Gas Valve Brass Fitting	1	EDV4540CNE
32	H4919	Gas Line Valve To Burner	1	EDV4540CNE
33	H4771	Valve Support Bracket	1	EDV4540CNE
34	62L18	Gas Valve NG	1	EDV4540CNE
35	99K77	Burner Orifice	1	EDV4540CNE
36	62L14	Pilot Assembly	1	EDV4540CNE
37	H4980	Pilot Tube W/Fitting	1	EDV4540CNE
**	85L78	Gas Conversion Kits (NG to LP)	1	EDV4540CNE
**	42J32	Transformer (110V to 24v)	1	EDV4540CNE
**	H4910	110V Wire Lead to Transformer	1	EDV4540CNE
38	H3383	Gas Control Inside Access Panel	1	EDV4540CNE
**	87L54	Igniter Assembly	1	EDV4540CNE

** NOT PICTURED



ACCESSORY COMPONENTS

Product Reference Information			
Cat. No.	Model	Ship. Weight	Ship. Volume
H2000	EDV3530NM	78 lb.	9.09 cu. ft.
H2001	EDV3530PM	78 lb.	9.09 cu. ft.
H2006	EDV3530NE	78 lb.	9.09 cu. ft.
H2002	EDV4035NM	86 lb.	10.61 cu. ft.
H2003	EDV4035PM	86 lb.	10.61 cu. ft.
H2007	EDV4035NE	86 lb.	10.61 cu. ft.
H2004	EDV4540NM	108 lb.	14.01 cu. ft.
H2005	EDV4540PM	108 lb.	14.01 cu. ft.
H2008	EDV4540NE	108 lb.	14.01 cu. ft.



Digital Wall Thermostat

The wall thermostat kit provides temperature control for optimum comfort.

Wall Thermostat, Millivolt		
Cat. No.	Model No.	Description
H4635	DWTK	Wall Thermostat Kit, White



Remote Control System (Standard) H0249 RCL

Standard Remote Control System

The Model RCL (Standard) Remote Control System, features a simple On/Off control function for the fireplace. This model includes a hand-held transmitter, a remote receiver with wall-mount coverplate and all hardware required to install the unit. The remote receiver can be wall or hearth mounted.



Flame Modulating Remote Control - Natural Gas H0301 RCL-MN
 Flame Modulating Remote Control - LP/Propane Gas H0302 RCL-ML

Flame Modulating Remote Control

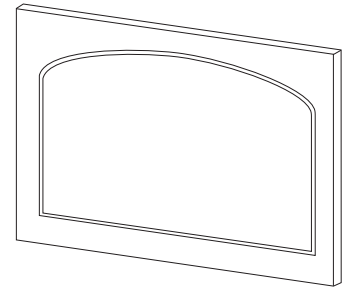
Flame Modulating Remote Controls were developed to provide a safe, reliable and user-friendly remote control system for appliances equipped with a Millivolt Gas Valve. A detailed set of instructions are included with each remote.



Remote Control System (Deluxe) H0251 RCL-T

Deluxe Remote Control System

The Model RCL-T (Deluxe) Remote Control System has all of the features of the standard system along with an added easy to read LCD screen which presents access to many enhancements, including; battery power level indicator, timer, mode of operation, thermostatic display including room temperature in either metric of English units, flame indicator and clock. Fully programmable, the Model RCL-T allows for command over nearly all operational and temperature variables, using the hand held remote control transmitter.

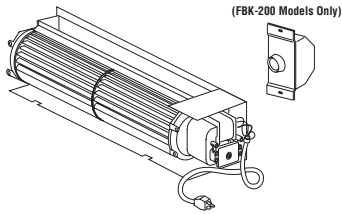


The kits attach to the glass enclosure panel without the use of hardware. The decorative arch kits can **not** be used in conjunction with the screen panel kit.

Arch Door Kits		
Model No.	Catalog No. Model No.	
	Polished Brass	Brushed Stainless
EDV3530	81L34	98L68
	ADK35CPB	ADK35CBS
EDV4035	81L35	98L69
	ADK40CPB	ADK40CBS
EDV4540	81L36	98L70
	ADK45CPB	ADK45CBS

NOTE: DIAGRAMS & ILLUSTRATIONS ARE NOT TO SCALE.

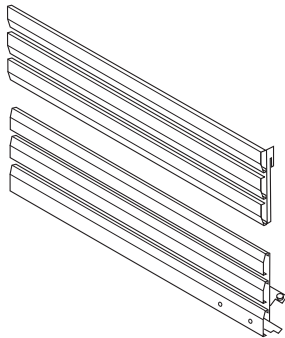
ACCESSORY COMPONENTS CONTINUED



Forced Air Blower Kits		
-Single Speed	80L84	FBK-100
-Variable Speed with wall-mountable switch	80L85	FBK-200
-Variable Speed with unit-mountable switch	80L86	FBK-250

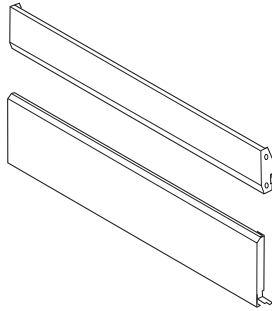
Forced Air Kit

The FBK-100 blower provides constant velocity forced air circulation. The FBK-200 assembly with variable speed, wall-mountable switch provides variable speed forced air circulation. The FBK-250 assembly with variable speed unit-mountable switch, also provides variable speed forced air circulation.



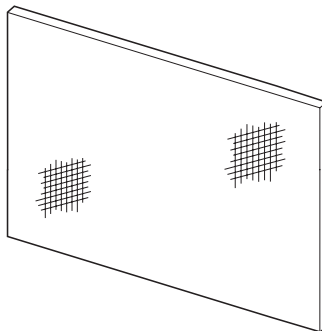
Assembled Louver Kits		
Model No.	Catalog No. Model No.	
	Polished Brass	Brushed Stainless
EDV3530	88L28	88L32
	LVR35PB-2	LVR35BS
EDV4035	88L29	88L33
	LVR40PB-2	LVR40BS
EDV4540	88L30	88L34
	LVR45PB-2	LVR45BS

These louvers are designed to replace the standard charcoal louvers that are provided with the appliance. The brass and brushed stainless louver kits include six (6) louvers.



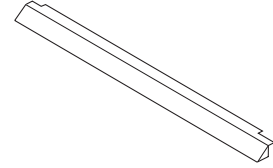
Clean Face Panel Kits	
Model No.	Catalog No. Model No.
EDV3530	88L36
	RAD35C-2
EDV4035	88L37
	RAD40C-2
EDV4540	88L38
	RAD45C-2

Clean faced panel kits are available to convert the standard louvered fireplaces to radiant models which are more suited for finishing around the firebox opening with non-combustible materials, such as tile.



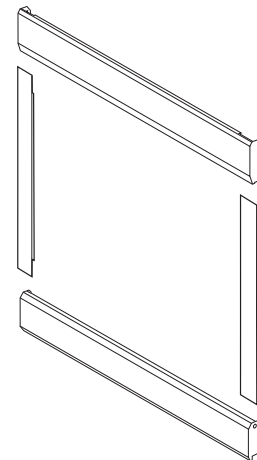
Screen Panel Kits	
Model No.	Catalog No. Model No.
EDV3530	88L52
	HG35E
EDV4035	96K32
	HG40
EDV4540	96K33
	HG45

These screen panels can be installed on the glass enclosure panel to provide protection from the hot glass surface. The screen panel kits cannot be used in conjunction with either of the arch door kits or door frame kits.



Hood Kits		
Model No.	Catalog No. Model No.	
	Polished Brass	Brushed Stainless
EDV3530	96K67	88L49
	EB35PB	EB35BS
EDV4035	96K68	88L50
	EB40PB	EB40BS
EDV4540	96K69	88L51
	EB45PB	EB45BS

These hood kits replace the standard hood that comes with these fireplaces.

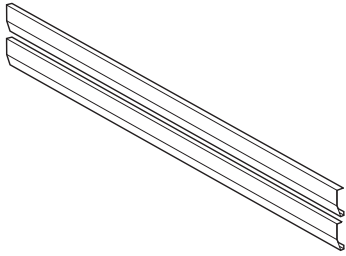


4-Piece Door Frame Kits		
Model No.	Catalog No. Model No.	
	Polished Brass	Brushed Stainless
EDV3530	88L44	90L70
	DTKE35PB	DTKE35BS
EDV4035	88L45	90L71
	DTK40PB-2	DTK40BS
EDV4540	88L46	90L72
	DTK45PB-2	DTK45BS

These kits are designed to attach directly to the front face of the fireplace at the four edges of the glass enclosure panel.

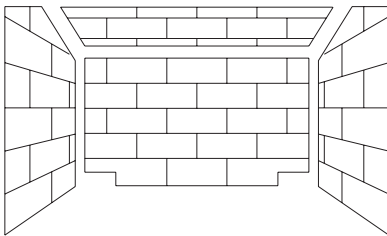
NOTE: DIAGRAMS & ILLUSTRATIONS ARE NOT TO SCALE.

ACCESSORY COMPONENTS CONTINUED



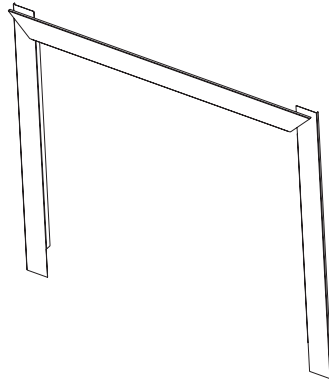
2-Piece Louver Kits		
Model No.	Catalog No. Model No.	
	Polished Brass	Brushed Stainless
EDV3530	96L05	96L09
	2LVR35PB	2LVR35BS
EDV4035	96L06	96L10
	2LVR40PB	2LVR40BS
EDV4540	96L07	96L11
	2LVR45PB	2LVR45BS

The 2-piece polished brass or brushed stainless louver kits may be used to replace either the middle charcoal louver of each louver set, or the charcoal louver in each louver set closest to the glass door.



Brickaded Panel Liner Kits	
Model No.	Catalog No. Model No.
EDV3530	H0775 EBLK-35
	H0776 EBLK-40
EDV4540	H0777 EBLK-45

The brickaded panel liner kits include ceramic panels of the side walls, the rear and the baffle of the firebox. The panels have brick-like features in relief.



Finish Trim Kits	
Model No.	Catalog No. Model No.
EDV3530	H0454 TK35EPB3
	96K22 TK40PB3
EDV4035	96K23 TK45PB3

This kit contains brass trim pieces used to finish the gaps between the wall board and the fireplace, providing the appliance a brass perimeter highlight.



Bag of Glowing Embers 88L53 FGE

Bag of Glowing Embers

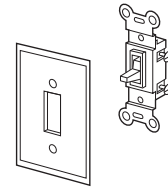
Replacement ember materials are available for use with these appliances. Order a bag of Glowing Embers, Model FGE to replace ember materials as part of the periodic maintenance of the appliance.



Touch-Up Paint (Black) Kit 90L73 TPK-B

Touch-Up Paint Kit

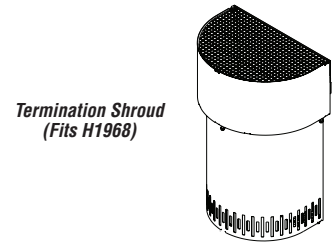
Repair of minor scratches and discoloration of the appliance painted surfaces may be accomplished with the touch-up paint kit.



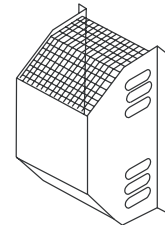
ON/OFF Wall Switch Kit 85L87 FWSK

ON/OFF Wall Switch Kit

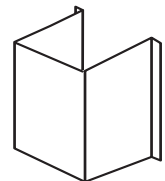
The ON/OFF wall switch kit may be used to control the operation of the fireplace burner as an alternative to the modesty panel mounted ON-OFF switch. Install the ON/OFF wall switch in a convenient location near the fireplace.



Termination Shroud (Fits H1968)



Deluxe Termination Guard (Fits 94L10)



Square Termination Guard (Fits 94L10)

Termination Guard Kits

The vent termination guards may be used to cover the vent termination on the exterior of the home to minimize exposure to the hot surface of the termination.

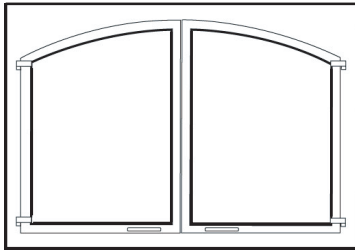
Termination Guard Kits (all models)		
Cat. No.	Model No.	Description
H5820	4.5HTSK	Termination Shroud
87L02	SV4.5HGS	Termination Guard, Deluxe
17M52	SV4.5HGS-1	Termination Guard, Square

NOTE: DIAGRAMS & ILLUSTRATIONS ARE NOT TO SCALE.

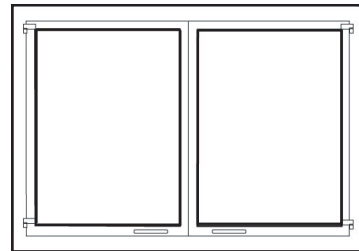
ACCESSORY COMPONENTS CONTINUED

Style View Doors -

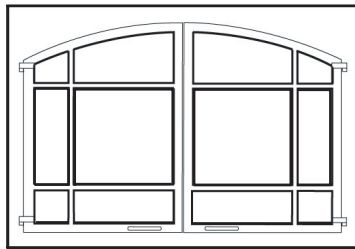
Style View Doors come in 4 beautiful styles. They are easy to install and will not require hardware to attach them to the standard glass door frame. The door includes heavy duty magnet door latches and functional twin-pane doors.



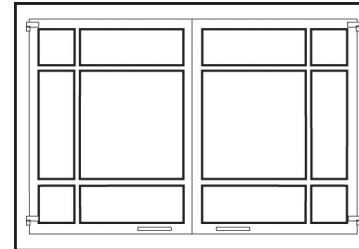
Arch Design



Square Design



Arch Pane Design



Square Pane Design

ARCH DESIGN KITS			
Cat. No.	Model	Description	Model Series
H0862	AD40C	40" Arch Doors, Black	EDV4035
H0863	AD40TI	40" Arch Doors, Textured Iron	
H0864	AD40SP	40" Arch Doors, Satin Pewter	
H0865	AD40AB	40" Arch Doors, Antique Brass	
H0866	AD45C	45" Arch Doors, Black	
H0867	AD45TI	45" Arch Doors, Textured Iron	EDV4540
H0868	AD45SP	45" Arch Doors, Satin Pewter	
H0869	AD45AB	45" Arch Doors, Antique Brass	
H0870	AD35EC	35" Elite Arch Doors, Black	EDV3530
H0871	AD35ETI	35" Elite Arch Doors, Textured Iron	
H0872	AD35ESP	35" Elite Arch Doors, Satin Pewter	
H0873	AD35EAB	35" Elite Arch Doors, Antique Brass	
ARCH PANE DESIGN KITS			
H0934	APD40C	40" Arch Pane Doors, Black	EDV4035
H0935	APD40TI	40" Arch Pane Doors, Textured Iron	
H0936	APD40SP	40" Arch Pane Doors, Satin Pewter	
H0937	APD40AB	40" Arch Pane Doors, Antique Brass	
H0938	APD45C	45" Arch Pane Doors, Black	EDV4540
H0939	APD45TI	45" Arch Pane Doors, Textured Iron	
H0940	APD45SP	45" Arch Pane Doors, Satin Pewter	
H0941	APD45AB	45" Arch Pane Doors, Antique Brass	
H0942	APD35EC	35" Elite Arch Pane Doors, Black	
H0943	APD35ETI	35" Elite Arch Pane Doors, Textured Iron	EDV3530
H0944	APD35ESP	35" Elite Arch Pane Doors, Satin Pewter	
H0945	APD35EAB	35" Elite Arch Pane Doors, Antique Brass	

SQUARE DESIGN KITS			
Cat. No.	Model	Description	Model Series
H0950	SD40C	40" Sq. Doors, Black	EDV4035
H0951	SD40TI	40" Sq. Doors, Textured Iron	
H0952	SD40SP	40" Sq. Doors, Satin Pewter	
H0953	SD40AB	40" Sq. Doors, Antique Brass	
H0954	SD45C	45" Sq. Doors, Black	
H0955	SD45TI	45" Sq. Doors, Textured Iron	EDV4540
H0956	SD45SP	45" Sq. Doors, Satin Pewter	
H0957	SD45AB	45" Sq. Doors, Antique Brass	
H0958	SD35EC	35" Elite Sq. Doors, Black	EDV3530
H0959	SD35ETI	35" Elite Sq. Doors, Textured Iron	
H0960	SD35ESP	35" Elite Sq. Doors, Satin Pewter	
H0961	SD35EAB	35" Elite Sq. Doors, Antique Brass	
SQUARE PANE DESIGN KITS			
H0966	SPD40C	40" Sq. Pane Doors, Black	EDV4035
H0967	SPD40TI	40" Sq. Pane Doors, Textured Iron	
H0968	SPD40SP	40" Sq. Pane Doors, Satin Pewter	
H0969	SPD40AB	40" Sq. Pane Doors, Antique Brass	
H0970	SPD45C	45" Sq. Pane Doors, Black	EDV4540
H0971	SPD45TI	45" Sq. Pane Doors, Textured Iron	
H0972	SPD45SP	45" Sq. Pane Doors, Satin Pewter	
H0973	SPD45AB	45" Sq. Pane Doors, Antique Brass	
H0974	SPD35EC	35" Elite Sq. Pane Doors, Black	
H0975	SPD35ETI	35" Elite Sq. Pane Doors, Textured Iron	EDV3530
H0976	SPD35ESP	35" Elite Sq. Pane Doors, Satin Pewt.	
H0977	SPD35EAB	35" Elite Sq. Pane Doors, Ant. Brass	

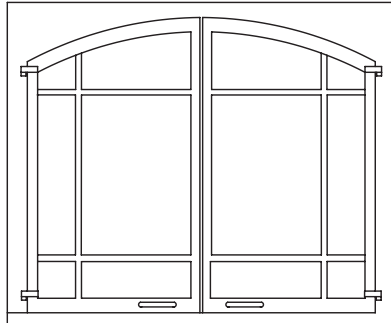
NOTE: DIAGRAMS & ILLUSTRATIONS ARE NOT TO SCALE.

ACCESSORY COMPONENTS CONTINUED

Style View Doors Continued -

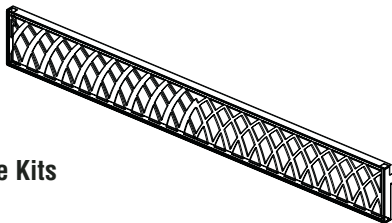
Style View Doors also come in a Tall Arch Pane Design. Two distinctive grille kits, the “Crescents” and “Sunrise” design, are also offered separately. They are easy to install and will not require hardware to attach them to the standard glass door frame. The door includes heavy duty magnet door latches and functional twin-pane doors.

Tall Arch Pane Door

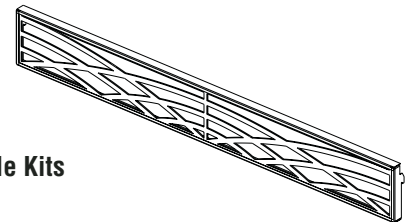


TALL ARCH PANE DOORS			
Cat. No.	Model	Description	Model Series
H3537	TAPD35EC	35" Elite Arch Pane Doors, Black	EDV3530
H3539	TAPD35ESP	35" Elite Arch Pane Doors, Satin Pewter	
H3529	TAPD40C	40" Arch Pane Doors, Black	EDV4035
H3531	TAPD40SP	40" Arch Pane Doors, Satin Pewter	
H3533	TAPD45C	45" Arch Pane Doors, Black	EDV4540
H3535	TAPD45SP	45" Arch Pane Doors, Satin Pewter	

Crescents Grille Kits

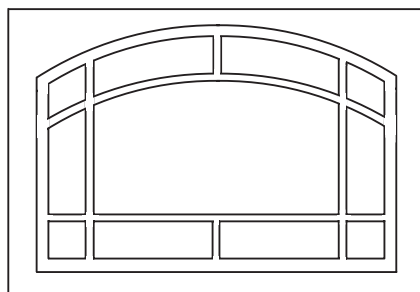


Sunrise Grille Kits



“Crescents” Grille Kits			
Cat. No.	Model	Description	Model Series
H3541	CUGK35C	35" Crescents Upper Grille Kit, Black	EDV3530
H3543	CUGK35SP	35" Crescents Upper Grille Kit, Satin Pewter	
H3545	CLGK35C	35" Crescents Lower Grille Kit, Black	
H3547	CLGK35SP	35" Crescents Lower Grille Kit, Satin Pewter	
H3549	CUGK40C	40" Crescents Upper Grille Kit, Black	EDV4035
H3551	CUGK40SP	40" Crescents Upper Grille Kit, Satin Pewter	
H3553	CLGK40C	40" Crescents Lower Grille Kit, Black	
H3555	CLGK40SP	40" Crescents Lower Grille Kit, Satin Pewter	
H3557	CUGK45C	45" Crescents Upper Grille Kit, Black	EDV4540
H3559	CUGK45SP	45" Crescents Upper Grille Kit, Satin Pewter	
H3561	CLGK45C	45" Crescents Lower Grille Kit, Black	
H3563	CLGK45SP	45" Crescents Lower Grille Kit, Satin Pewter	

“Sunrise” Grille Kits			
Cat. No.	Model	Description	Model Series
H3565	SUGK35C	35" Sunrise Upper Grille Kit, Black	EDV3530
H3567	SUGK35SP	35" Sunrise Upper Grille Kit, Satin Pewter	
H3569	SLGK35C	35" Sunrise Lower Grille Kit, Black	
H3571	SLGK35SP	35" Sunrise Lower Grille Kit, Satin Pewter	
H3573	SUGK40C	40" Sunrise Upper Grille Kit, Black	EDV4035
H3575	SUGK40SP	40" Sunrise Upper Grille Kit, Satin Pewter	
H3577	SLGK40C	40" Sunrise Lower Grille Kit, Black	
H3579	SLGK40SP	40" Sunrise Lower Grille Kit, Satin Pewter	
H3581	SUGK45C	45" Sunrise Upper Grille Kit, Black	EDV4540
H3583	SUGK45SP	45" Sunrise Upper Grille Kit, Satin Pewter	
H3585	SLGK45C	45" Sunrise Lower Grille Kit, Black	
H3587	SLGK45SP	45" Sunrise Lower Grille Kit, Satin Pewter	



Arch Screen Panel Kit
40" Decorative Arch Screen Panel Kit - Textured Iron

Model No. DASPK40TI
Catalog No. H3594

This screen panel kit can be installed on the glass enclosure panel to prevent direct contact with the hot glass surface. The panel kit adds a new design choice with a handsome textured iron finish. The screen panel kit cannot be used in conjunction with either of the arch door kits or door frame kits.

REPLACEMENT PARTS LIST

Item No.	Description	EDV3530		EDV4035		EDV4540	
		Part No.	Qty.	Part No.	Qty.	Part No.	Qty.
1	Hood	H3895	1	H3896	1	H3897	1
2	Louver Assembly, Top	H3726	1	H2727	1	H3728	1
3	Louver Assembly, Bottom	H3726	1	H2727	1	H3728	1
4	Enclosure, Glass Front (Complete)	91L18	1	H3724	1	91L16	1
5	Bustle, Top	H4964	1	H3741	1	H3742	1
6	Bustle, Bottom	91L25	1	H3729	1	H3730	1
7	Nameplate (Brand)	12L15	1	12L15	1	12L15	1
8	Latch	69L21	2	69L21	2	69L21	2
9	Catch, Door, Magnetic	69L31	1	69L31	1	69L31	1
10	Log Set (Complete)	55M02	1	55M03	1	55M03	1
11	Burner Assembly	55M29	1	55M30	1	55M30	1
12	Grate Assembly	H4990	1	H4991	1	H4991	1
13	Venturi/Air Shutter	H3707	1	H3707	1	H3707	1
14	Orifice, Main Burner - Nat. Gas	69L96	1	18L40	1	99K77	1
14	Orifice, Main Burner - LP Gas	39L10	1	37G00	1	H0922	1
15	Ceramic Panel Floor (Complete)	55M46	1	55M47	1	55M48	1
16	Bag of Rockwool	88L53	1	88L53	1	88L53	1
17	ON/OFF Control Switch	80L41	1	80L41	1	80L41	1
18a	Modesty Panel, Millivolt	H3382	1	H3382	1	H3384	1
18b	Modesty Panel, Electronic	H3381	1	H3381	1	H3383	1
19	Gasket - Venturi Tube Mounting	43K85	1	43K85	1	43K85	1
20	Gas Line Flexible Connector	93L32	1	93L32	1	93L32	1
21	Magnet	H3699	1	H3699	1	H3699	1

Gas Controls - SIT Millivolt					
Item No.	Description	Natural Gas		Propane Gas	
		Part No.	Qty.	Part No.	Qty.
30	Gas Valve, SIT	43K07	1	88J53	1
31	Piezo Igniter	10K86	1	10K86	1
32	Pilot Assembly	69L17	1	69L18	1
33	Pilot Generator	60J79	1	60J79	1
34	Thermocouple	74L57	1	74L57	1
35	Pilot Tube	74L56	1	74L56	1
36	Electrode And Cable	74L58	1	74L58	1

Gas Controls - Honeywell Electronic			
Item No.	Description	Natural Gas	
		Part No.	Qty.
40	Gas Valve, Honeywell	62L18	1
41	Pilot Assembly	62L14	1
42	Transformer	42J32	1
43	Ignitor Assembly (Kit)	87L54	1

Contact an Authorized Lennox Hearth Products dealer to obtain any of these parts. Never use substitute materials. Use of non-approved parts can result in poor performance and safety hazards.

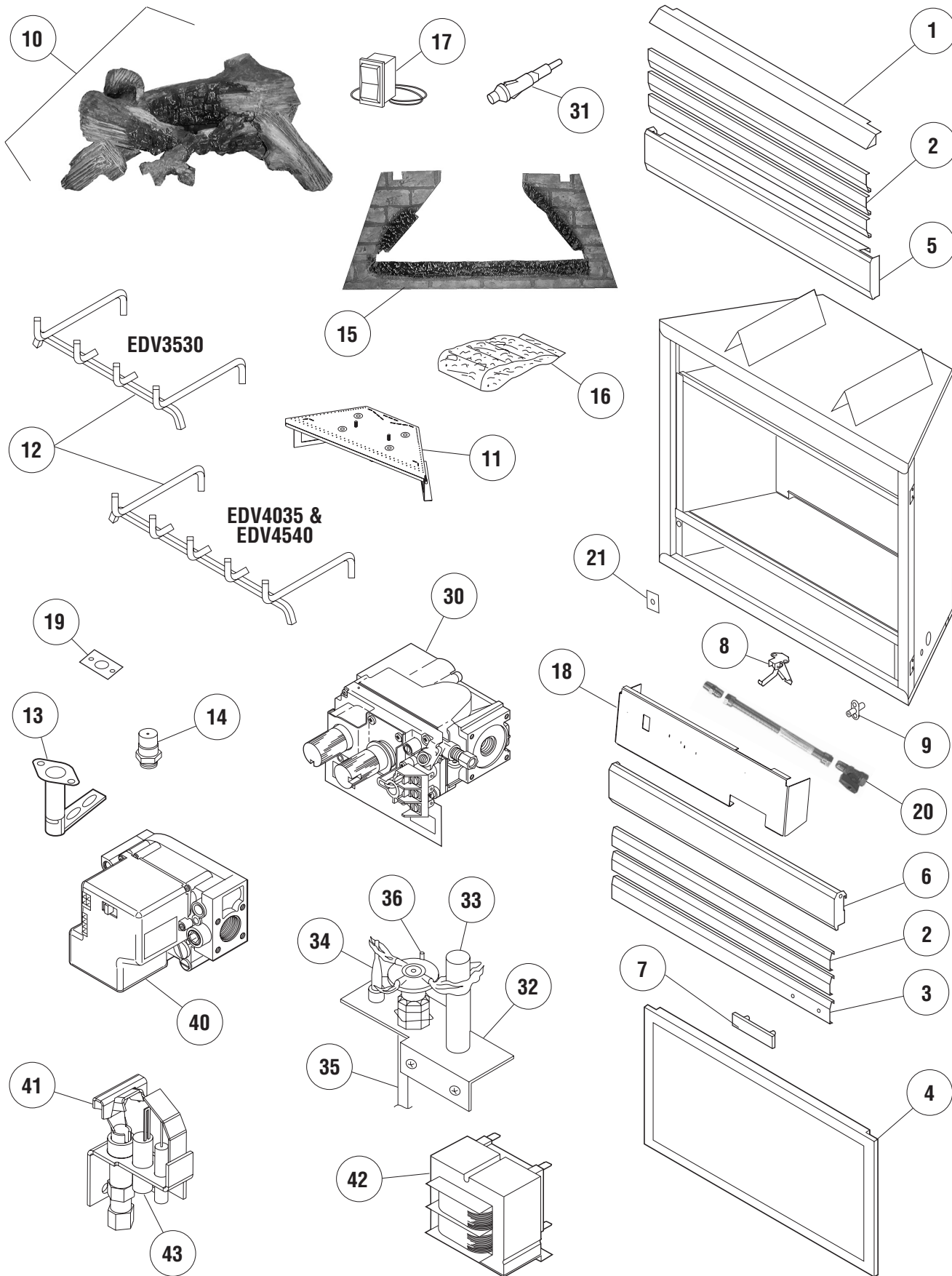
⚠ WARNING

Failure to position the parts in accordance with these diagrams or failure to use only parts specifically approved with this appliance may result in property damage or personal injury.

⚠ AVERTISSEMENT

Risque de dommages ou de blessures si les pièces ne sont pas installées conformément à ces schémas et ou si des pièces autres que celles spécifiquement approuvées avec cet appareil sont utilisées.

REPLACEMENT PARTS



NOTE: DIAGRAMS & ILLUSTRATIONS ARE NOT TO SCALE.